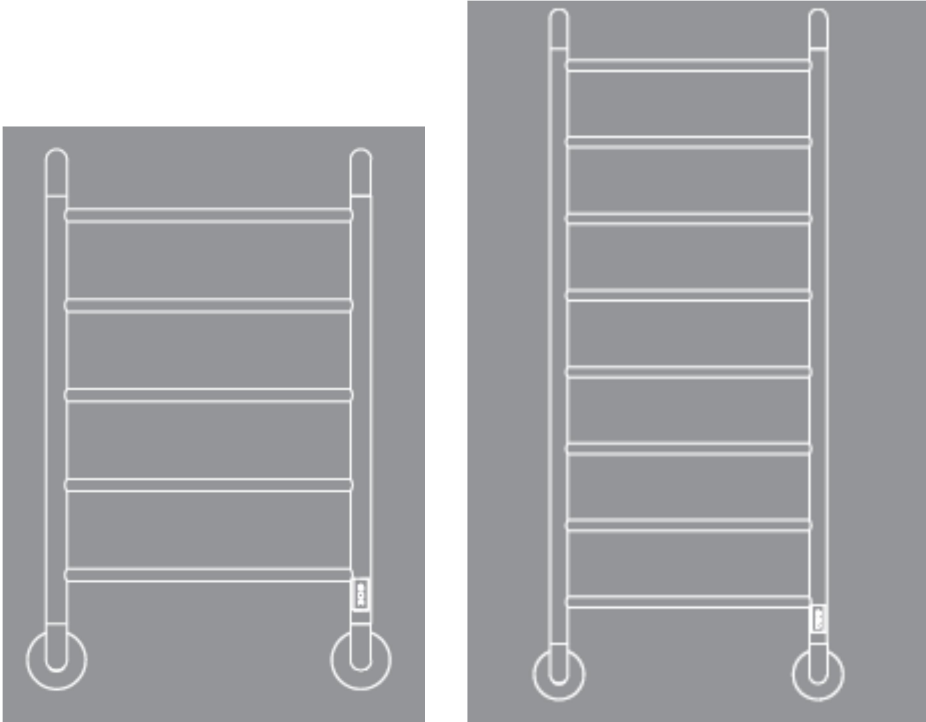


# LASSE

## Electric dryer



### SAFETY INSTRUCTIONS

Read through the instructions carefully before using the product.

This appliance must be installed and used as described in this manual. Any other use or installation may cause damage to the product or injury to the user.

P.M.H. is not responsible for any faults that may arise if the assembly and user instructions are not followed correctly.

EN 60335-2-43: This appliance can be used by children aged 8 years and over, and by persons with reduced physical, sensory or mental capabilities or lack of experience and knowledge if they are under supervision or have been given instruction concerning the safe use of the appliance and understand the hazards involved. Children must not play with the appliance. Children may not carry out cleaning or maintenance of the appliance without supervision.

**WARNING:** To avoid risk to very young children, we recommend that this appliance is installed so that the lowest heated rail is at least 600 mm above the floor.

Never use the appliance if the cable or plug is damaged, or if the unit has been dropped or otherwise damaged.

Never touch the electrical components. If a problem occurs, contact your supplier or an authorized electrician. If the cable is damaged, it must be replaced by the manufacturer, the manufacturer's service agent or a similarly qualified person in order to avoid hazard. The appliance must not be located immediately below a power socket. Always break the electric power supply to the appliance before starting any installation work. Installation and the electrical connection should be carried out by a qualified electrician. The towel rail is IP44 rated ( the appliance may NOT be sprayed with water). For this reason, we recommends installation in zone 2 or in an unclassified zone. This means that installation above a bathtub or in a shower is not allowed.

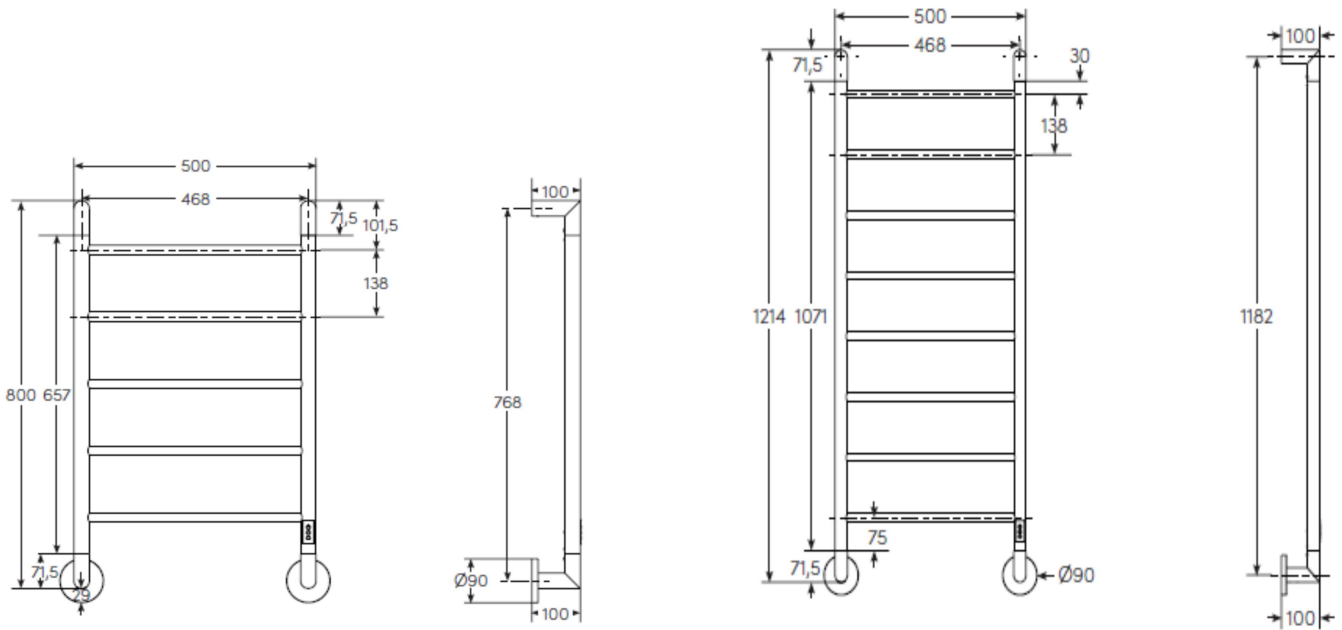
The heated towel rail must not:

- Be fitted or used outdoors.
- Be fitted so that it can fall into a bathtub or similar water container.
- Be fitted so that the electric controls can be accessed whilst showering/bathing.
- Be used before installation has been completed.

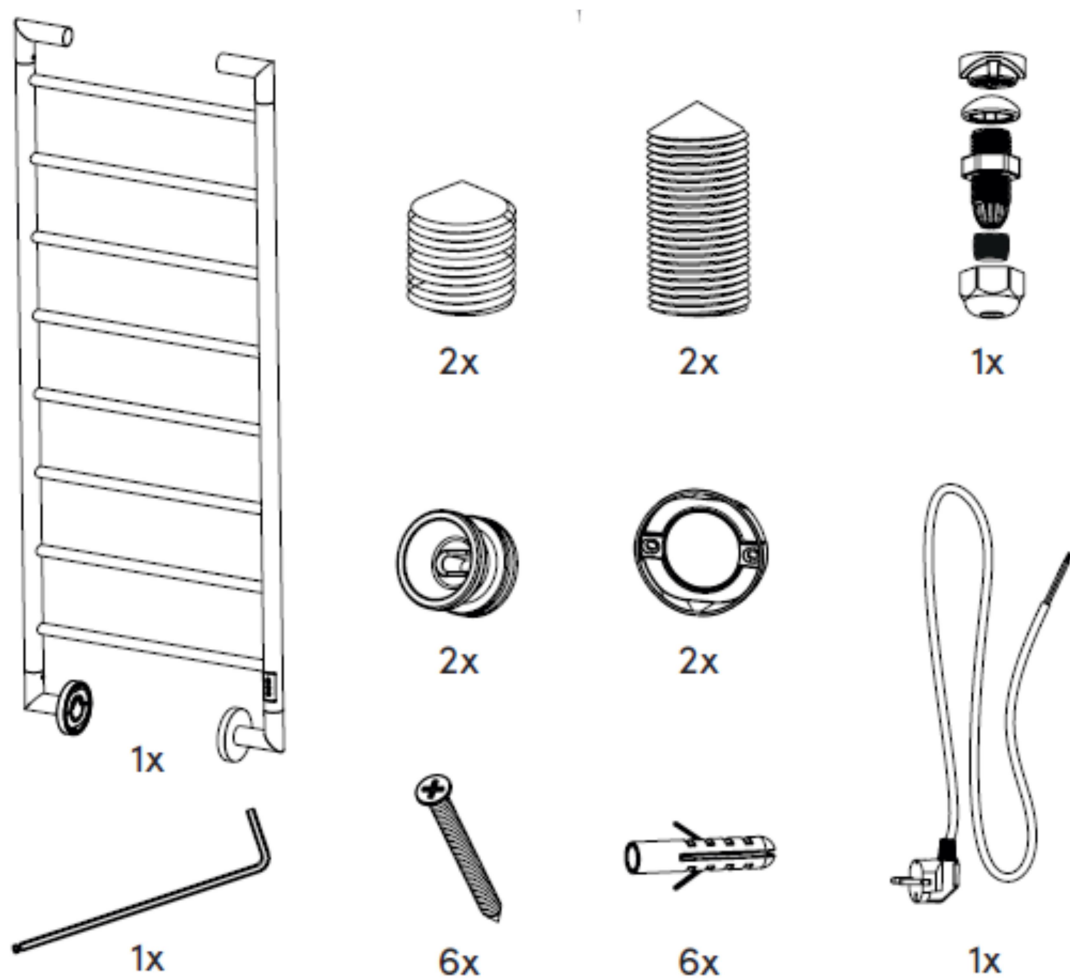
The heated towel rail must be fitted in a vertical position.

It may only be used for drying fabrics that have been washed in water.

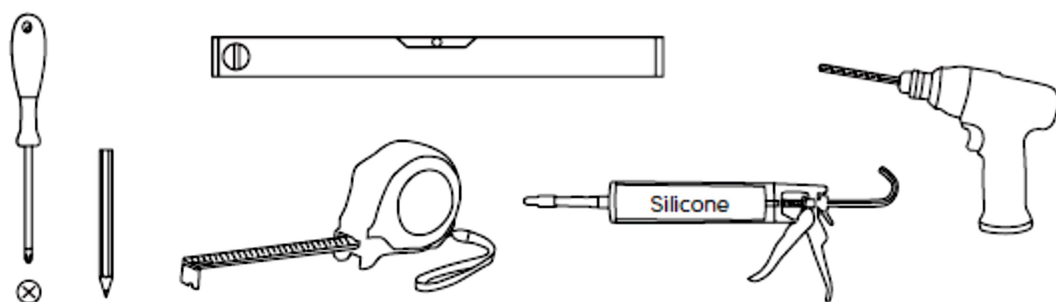
## DRAWINGS



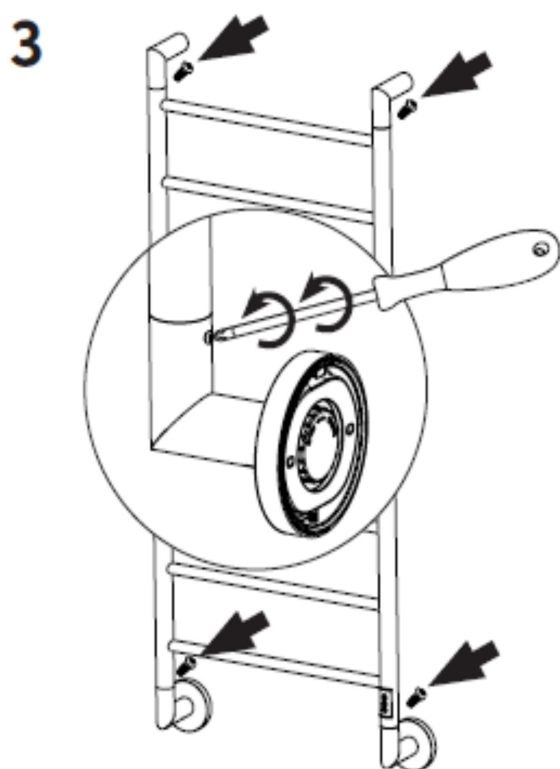
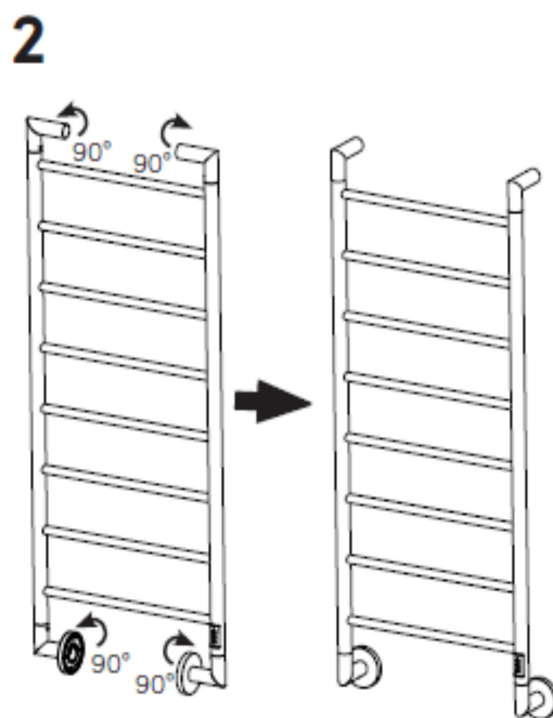
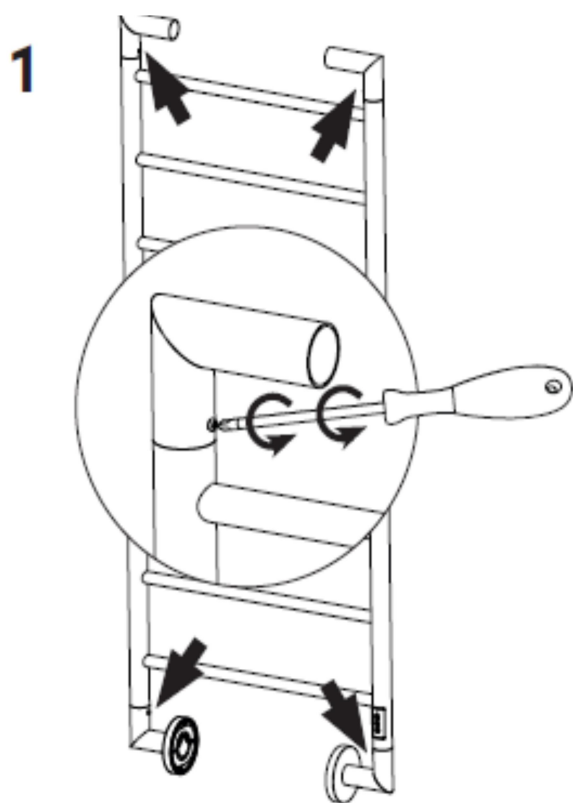
## CONTENTS



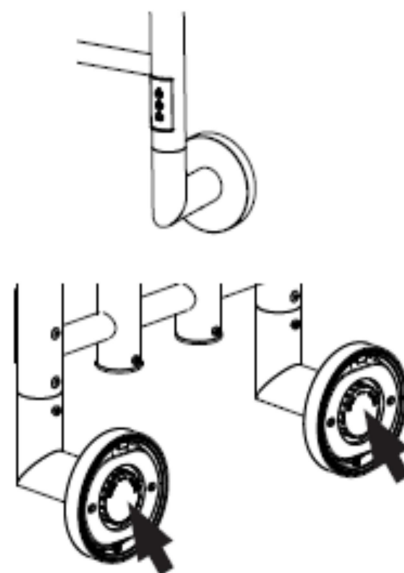
## NECESSARY TOOLS



# ASSEMBLY INSTRUCTION

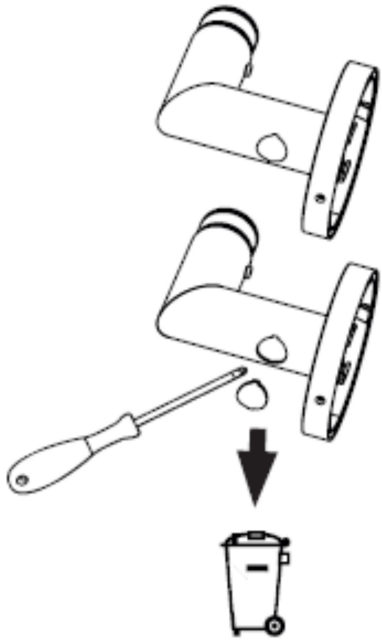


**4** ALT 1 - CONCEALED CONNECTION

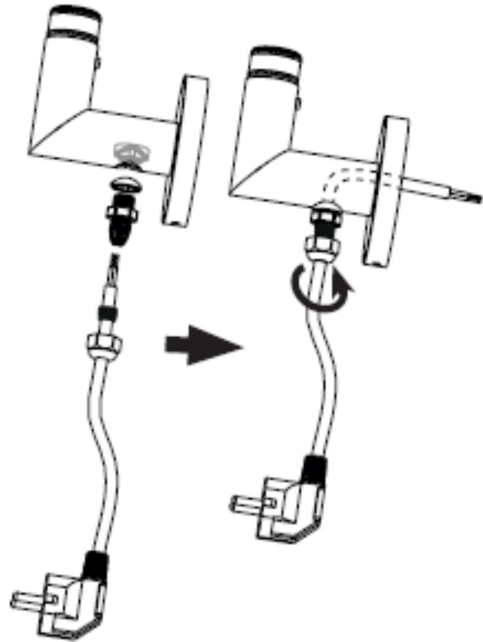


Remove cap on the left or right side

## 4 ALT 2 - CABLE CONNECTION

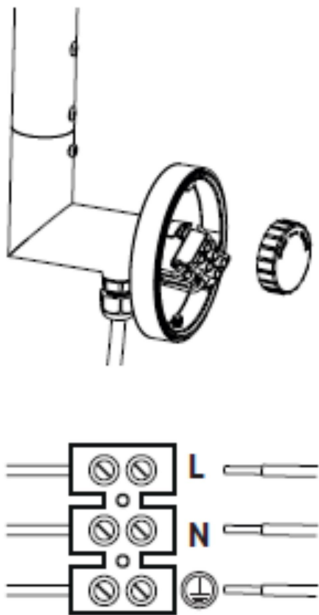


### 4.1

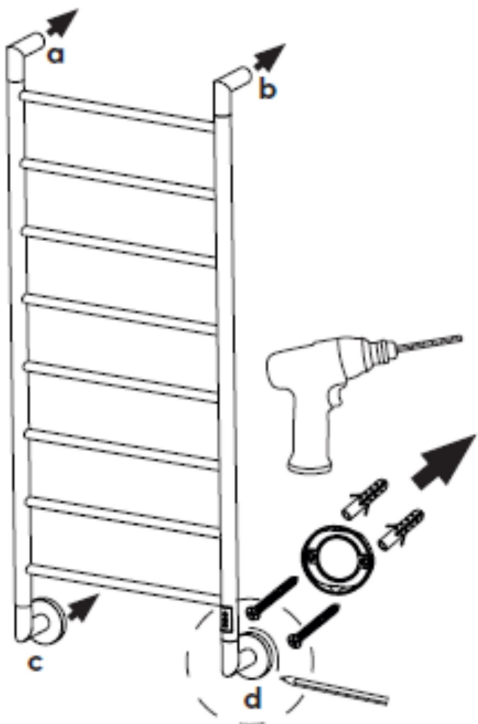


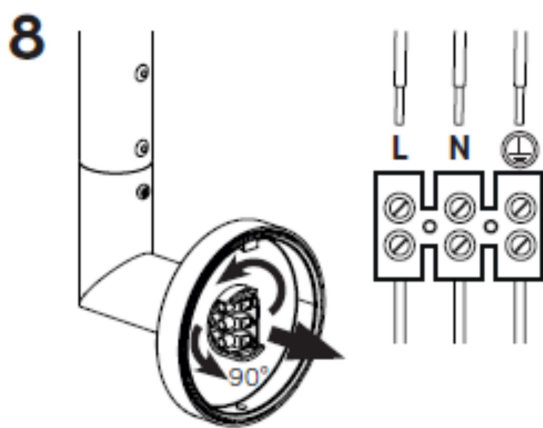
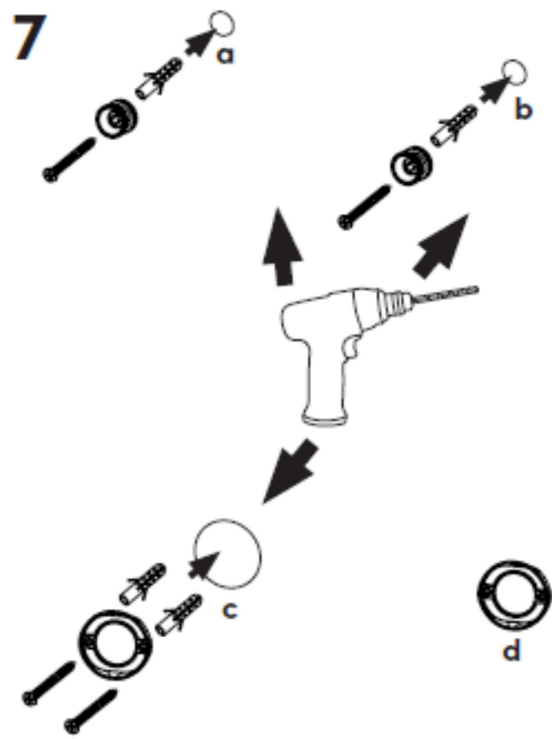
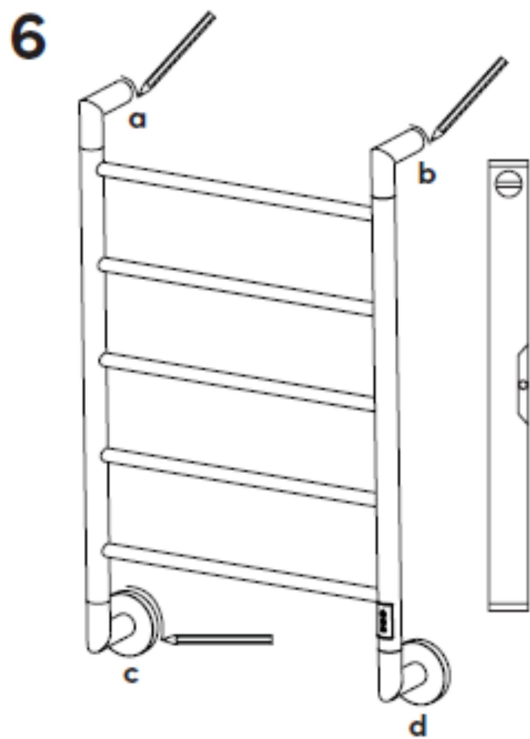
JY

### 4.2



## 5



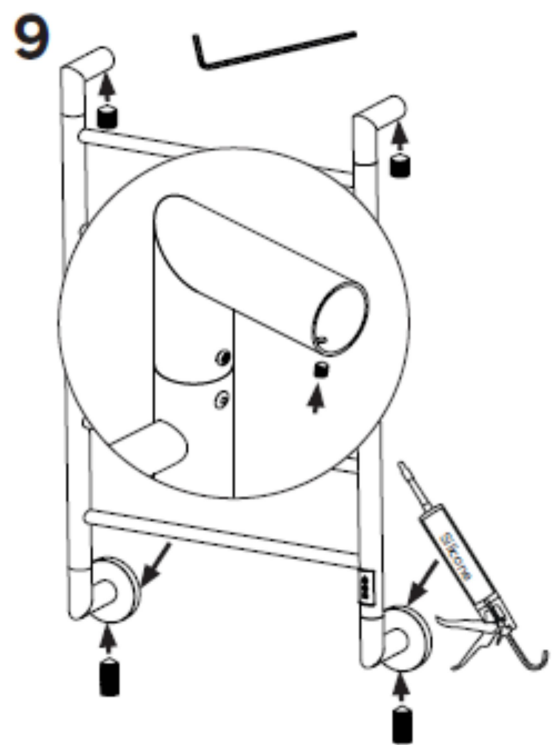


**OBS! ELINSTALLATIONER SKALL UTFÖRAS AV BEHÖRIG ELEKTRIKER.**

**MERK! ELEKTRISKE INSTALLASJONER MÅ UTFØRES AV EN KVALIFISERT ELEKTRIKER.**

**ASENNUKSEN JA SÄHKÖLIITÄNNÄN SAA SUORITTA A VAIN SÄHKÖALAN AMMATTIMIES.**

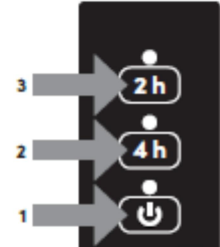
**NOTE! THE INSTALLATION AND CONNECTION SHOULD BE CARRIED OUT BY A QUALIFIED ELECTRICIAN.**



# USER MANUAL

## ON/OFF

Press the on/off button **(1)**. A blue LED indicates that the heated towel rail is switched on.  
Press the on/off button **(1)** again to switch the heated towel rail off.



## BOOSTER

### 2H BOOSTER

Press the on/off button **(1)**.  
Then press the 2 h button **(3)** to set the towel rail to operate at maximum capacity for 2 hours.  
A blue LED indicates that this function is activated. The heated towel rail will switch off automatically after 2 hours.

### 4H BOOSTER

Press the on/off button **(1)**.  
Then press the 4 h button **(2)** to set the towel rail to operate at maximum capacity for 4 hours. A blue LED indicates that this function is activated. The heated towel rail will switch off automatically after 4 hours.  
To deactivate the booster function, press the on/off button **(1)**.

## TIMER

### 2H TIMER

Press the on/off button **(1)**.  
Then press and hold the 2 h button **(3)** for about 4 seconds to activate the timer and set the towel rail to operate at maximum capacity for 2 hours. A flashing blue LED indicates that the timer is activated. A solid blue LED indicates that the towel rail is heating up. The heated towel rail will switch off automatically after 2 hours. The timer will reactivate automatically 22 hours after switching off. A flashing blue LED indicates that countdown is in progress to the next timer activation.

### 4H TIMER

Press the on/off button **(1)**.  
Then press and hold the 4 h button **(2)** for about 4 seconds to activate the timer and set the towel rail to operate at maximum capacity for 4 hours. A flashing blue LED indicates that the timer is activated. A solid blue LED indicates that the towel rail is heating up. The heated towel rail will switch off automatically after 4 hours. The timer will reactivate automatically 20 hours after switching off. A flashing blue LED indicates that countdown is in progress to the next timer activation.  
To deactivate the function and reset the timer to zero, press the on/off button **(1)**.

## MAINTENANCE

Always unplug the unit from the mains system, before performing maintenance. Clean the product with a dry or damp cloth. If necessary, use a very small amount of detergent, ensuring that it contains no solvents or abrasives. Avoid scouring powder or cleansers that contain abrasives, acid or ammonia.



### CORRECT DISPOSAL OF ELECTRICAL PRODUCTS:

This symbol indicates that this product should not be disposed of with other household waste throughout the EU. To prevent possible harm to the environment or human health from uncontrolled waste disposal, always dispose of unwanted electrical items responsibly at official municipal waste disposal and recycling sites..



P.M.H.-Invest & Trade spol. s r.o.  
Přísečná 556  
38101 CZ Český Krumlov