

ROSENDAL



ROSENDAL R2B - black coated finish, 266 × 1500 mm



Practical hooks for hanging towels and bathrobes

ROSENDAL



ROSENDAL RXLC - chrome, 1500 x 266 mm



ROSENDAL R2A/2
anthracite coated
115 x 1500 mm



ROSENDAL R2W
white coated
266 x 1500 mm

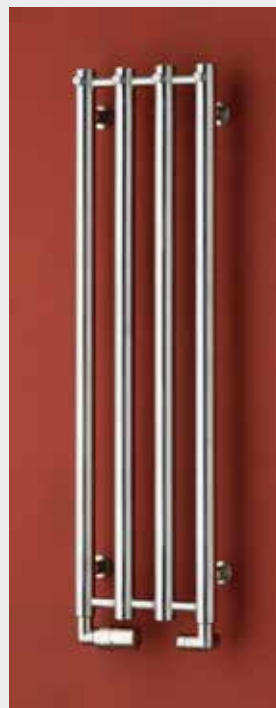


ROSENDAL R2C
chrome
266 x 1500 mm

ROSENDAL



ROSENDAL R2C/6 - chrome
420 × 1500 mm



ROSENDAL R1SS
brushed stainless steel
266 × 950 mm

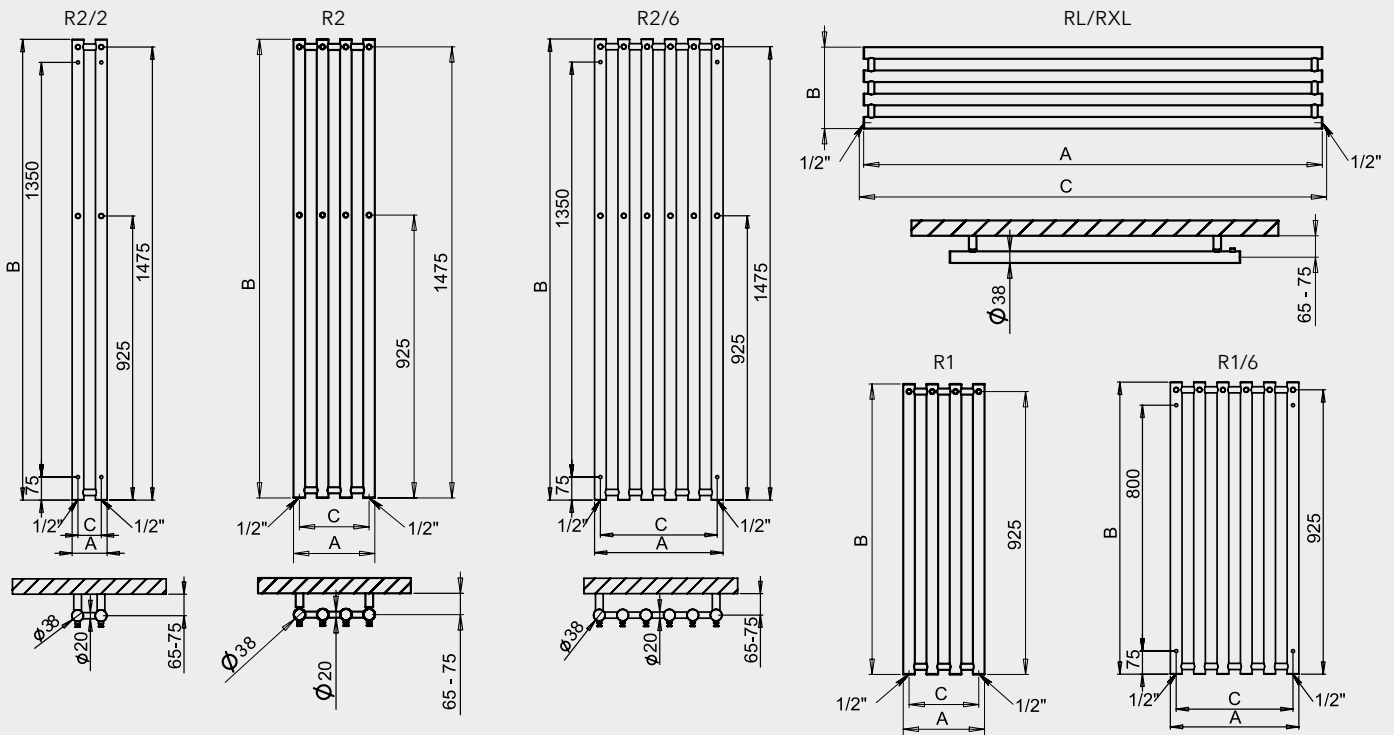


ROSENDAL R1W/6
white coated, 420 × 950 mm

Location of "attachment" to the wall: ↓ 75 mm ↑ 75 mm
 Central heating: YES
 Combination heating: YES
 Electric heating: YES

For radiators in horizontal configuration installed for combination heating with electric heating rod, it is only possible to use heating element EL 05E or GT. For horizontal design we do not recommend heating only with electric heating element.

Connection options:



Chrome**	Brushed stainless	White coated	Other surface finish (coated)*	Width (A) x Height (B) [mm]	HO [W] Δt 20°C***		Weight [kg]	Content [l]	Connection span (C) [mm]	Max. recommended electric heating element [W]
					75/65°C	55/45°C				
R2C/2	R2SS/2	R2W/2	R2/2	115 × 1500	175	91	4,3	3,15	76	100
R1C	R1SS	R1W	R1	266 × 950	248	129	5,6	4,2	228	200
R2C	R2SS	R2W	R2	266 × 1500	350	182	8,6	6,3	228	300
R1C/6	R1SS/6	R1W/6	R1/6	420 × 950	372	193	8,25	6,3	380	300
R2C/6	R2SS/6	R2W/6	R2/6	420 × 1500	525	273	12,9	9,45	380	400
Horizontal design										
RLC	RLSS	RLW	RL	950 × 266	248	129	5,6	4,2	on request•	200
RXLC	RXLSS	RXLW	RXL	1500 × 266	350	182	8,6	6,3	on request•	300

*Other surface finishes see page 78. **Heat output of chrome versions can be 20% lower.

***Calculation of temperature gradients can be viewed on www.pmh-co.cz.

• Pitch according to the technical parameters of the selected valve.

L and XL is not recommended for heating only with el. heating rod.